

TURNING A BALL THE EASY WAY

CENTRAL FLORIDA WOODTURNERS, APRIL 2013

Al Hockenbery

Sphere – a perfect shape

No spheres in nature

Earth

Peas

Pearls

Rain drops

Volcanic Bombs



Turning a sphere

WITH A BOWL GOUGE

- ▣ Fun
- ▣ Quick, Easy
- ▣ Fairly accurate $\pm 1/8$
- ▣ improves curves in other work
- ▣ Improves bowl gouge skill
- ▣ Increases confidence

WITH A JIG

- ▣ Accurate $\pm 1/64$
- ▣ Balls smaller than 2" easier for me with a jig
- ▣ Great for architectural elements

Turned Spheres

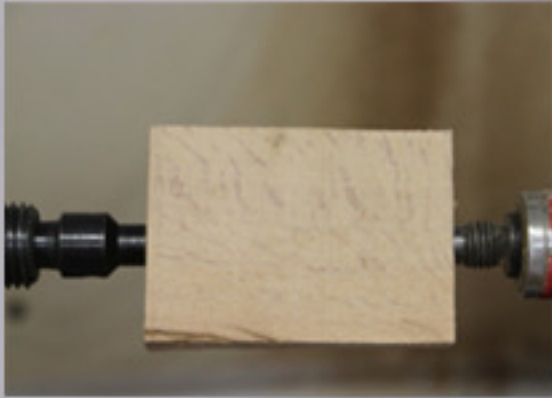


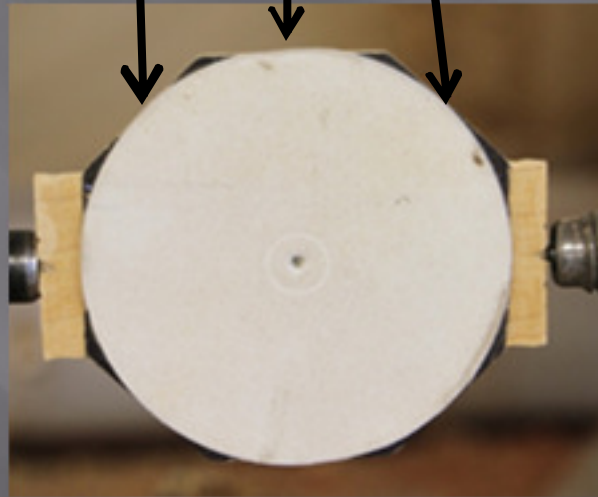
- ▣ Bowls
- ▣ Hollow Forms
- ▣ Boxes
- ▣ Ornaments
- ▣ Jewelry
- ▣ Desk ornaments
- ▣ Salt & Pepper
- ▣ Elements of turnings

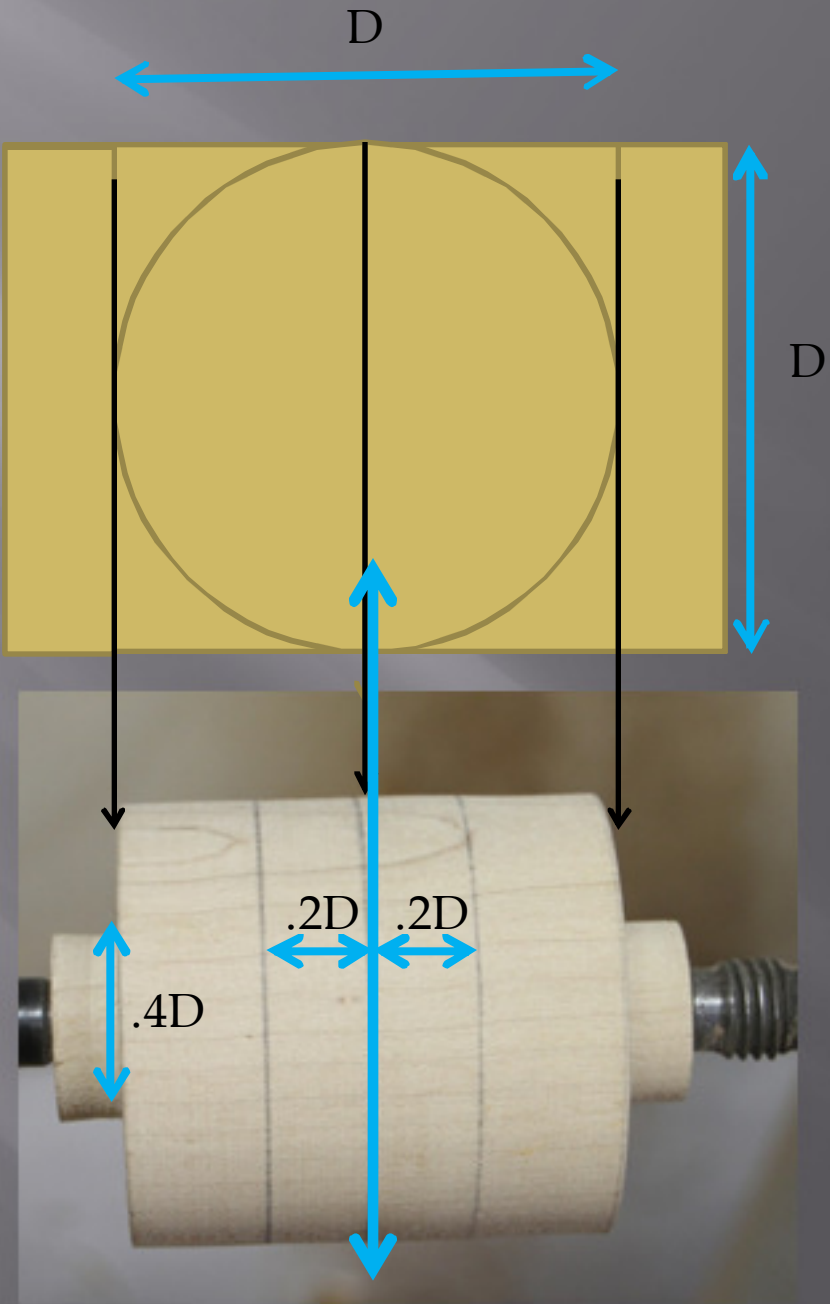
- ▣ Furniture Elements
- ▣ Architectural Elements
- ▣ Molds for concrete
- ▣ Globes



Sneaking up on the Curve









Layout Approximation
.4 is used instead of
0.414213562373095

Easy to calculate at
the lathe

Error of each line is
about 1/64 of an inch
A fat pencil line

